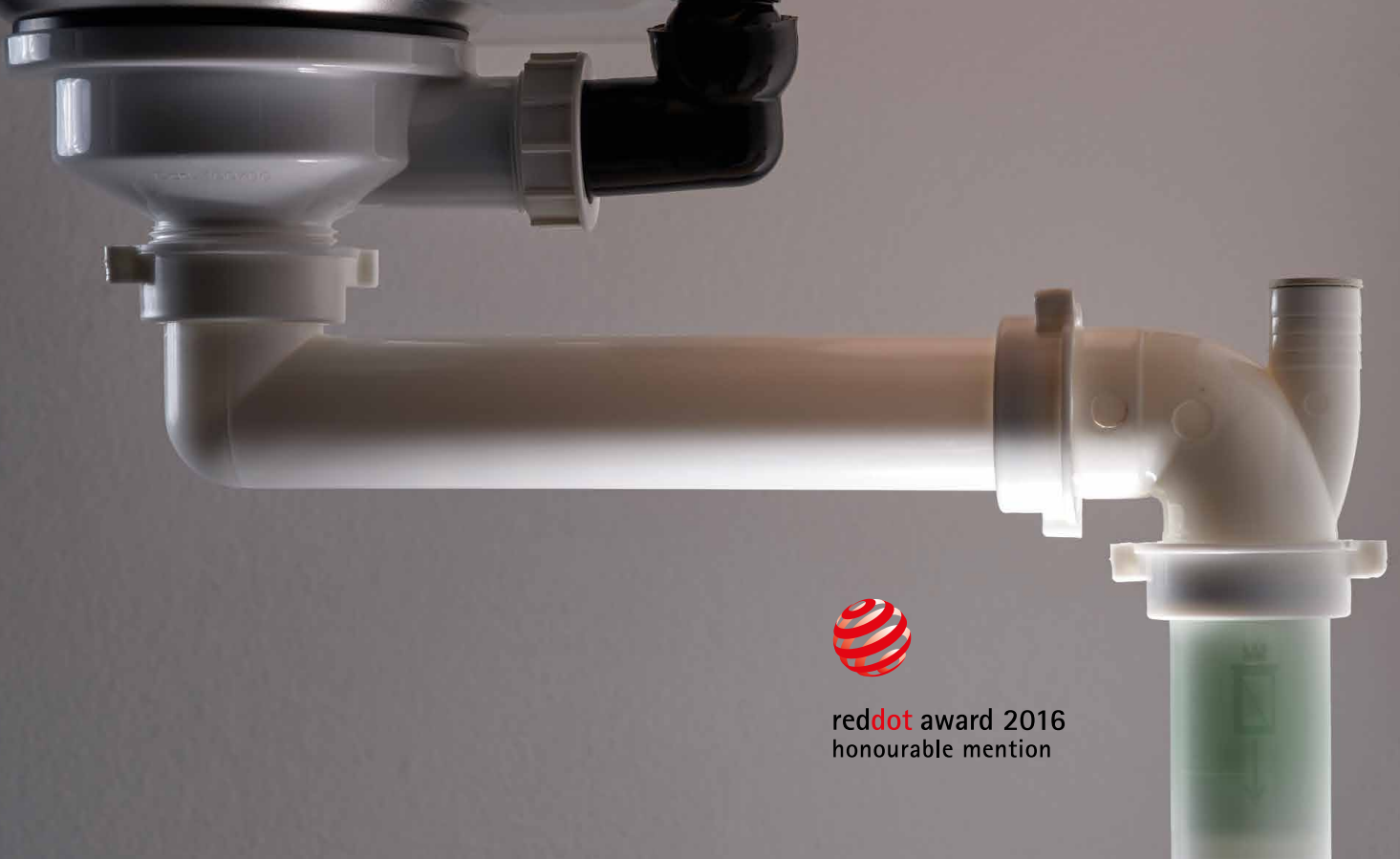




SPACE
SAVING

PANAMA
A SMART SPACE-SAVING
SYPHON SOLUTION

**REGINOX**



reddot award 2016
honourable mention

SPACE SAVING SYPHON

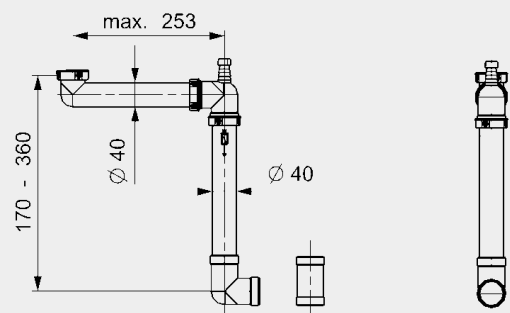
The Panama is a complete waste system which saves a lot of space in every cabinet. With an integrated rubber valve that replaces the trap. The water pushes the flexible rubber valve to one side to then be discharged into the drain. Afterwards, the rubber closes the trap again, so that water or smell can't return through the waste outlet. The installation is very simple. The space-saving siphon is connected directly to the outlet. The Panama is suitable for both new and already installed sinks.



Article number **R26618**

PANAMA-SIFON

Reddot Award winner 2016
With dishwasher connection



THE CROWN FOR
YOUR **KITCHEN**

MEMBER OF TER STEEGE GROEP WWW.REGINOX.COM


REGINOX